

蒸汽挂烫机

快速入门手册

YGD12B1 YGD12B2

Garment Steamer Quick Start Manual



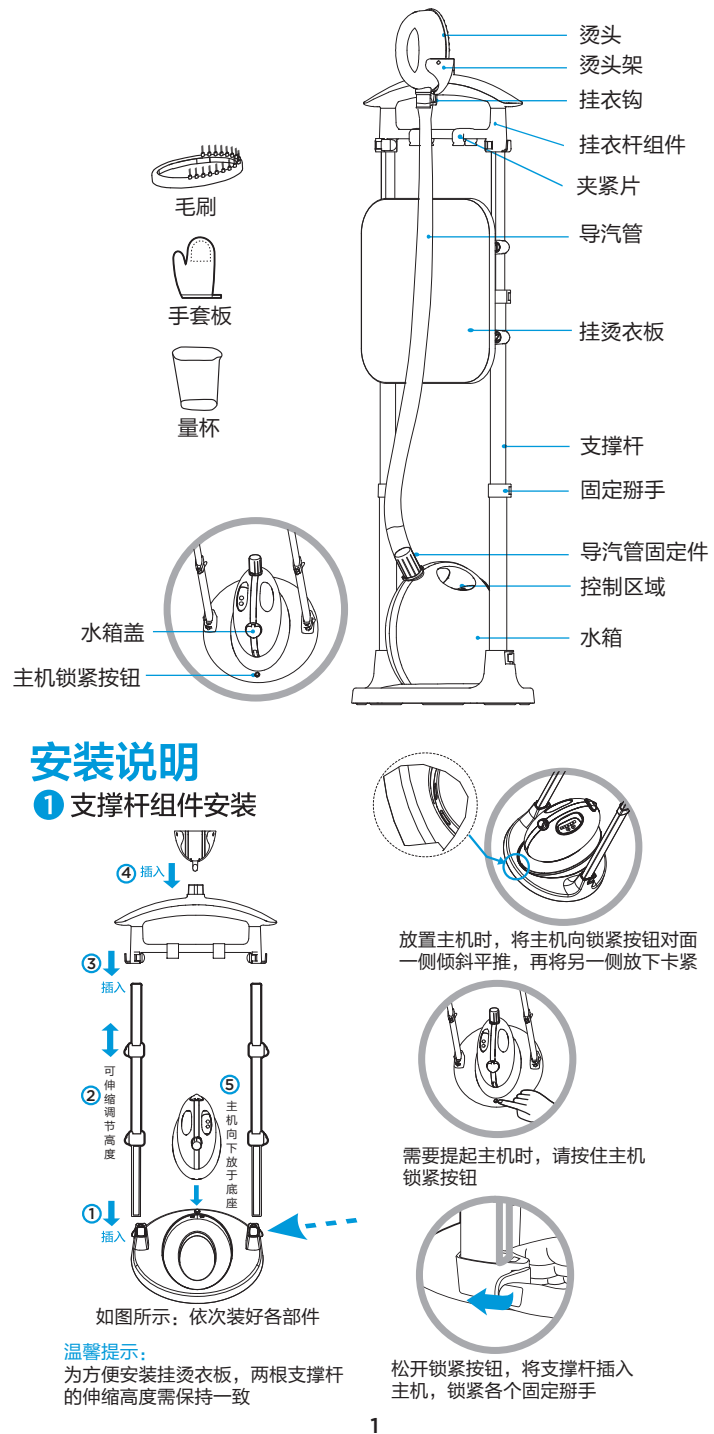
微信扫一扫，服务立即来

The service will be provided immediately with scanning with WeChat

使用前请仔细阅读本手册，并妥善保管

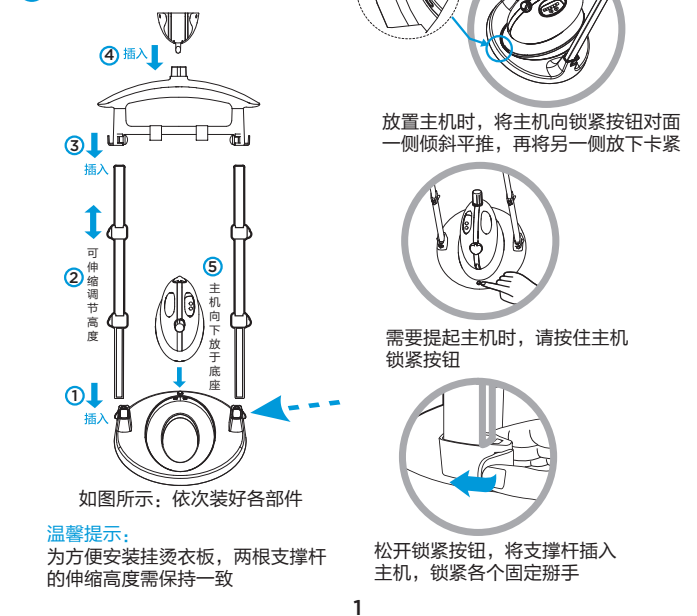
Please read this manual carefully before use, and store properly.

部件说明 (以下示意图仅供参考, 具体以实物为准)



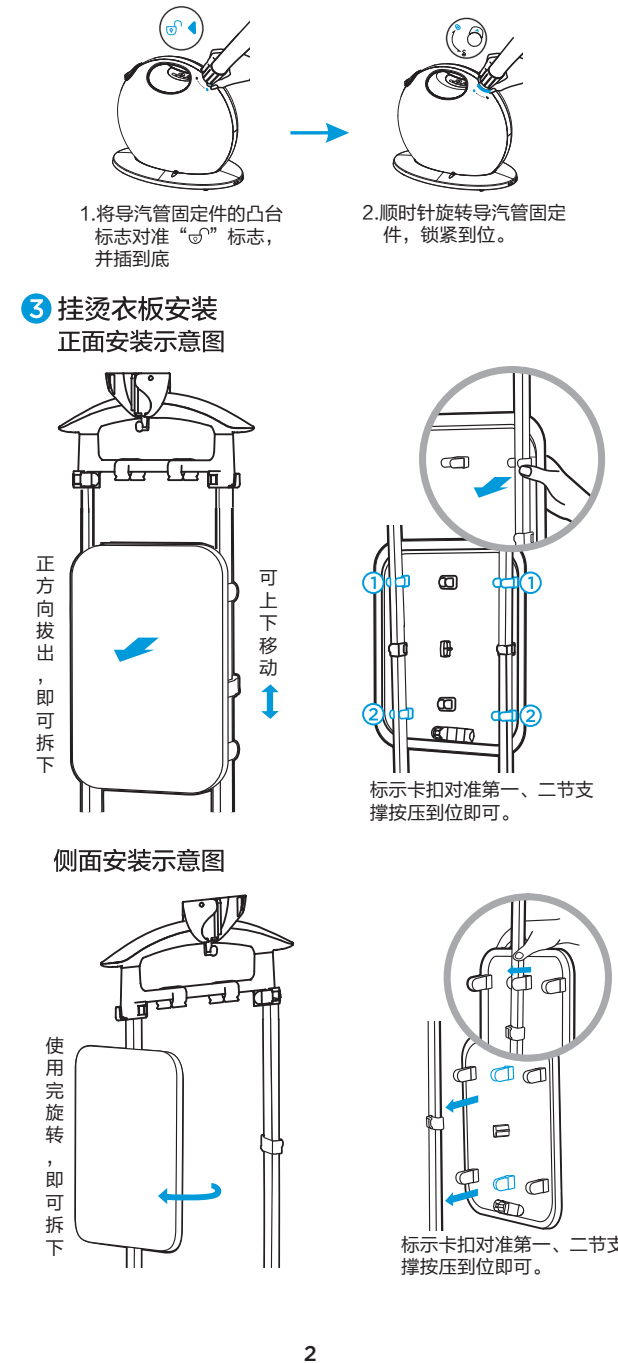
安装说明

1 支撑杆组件安装



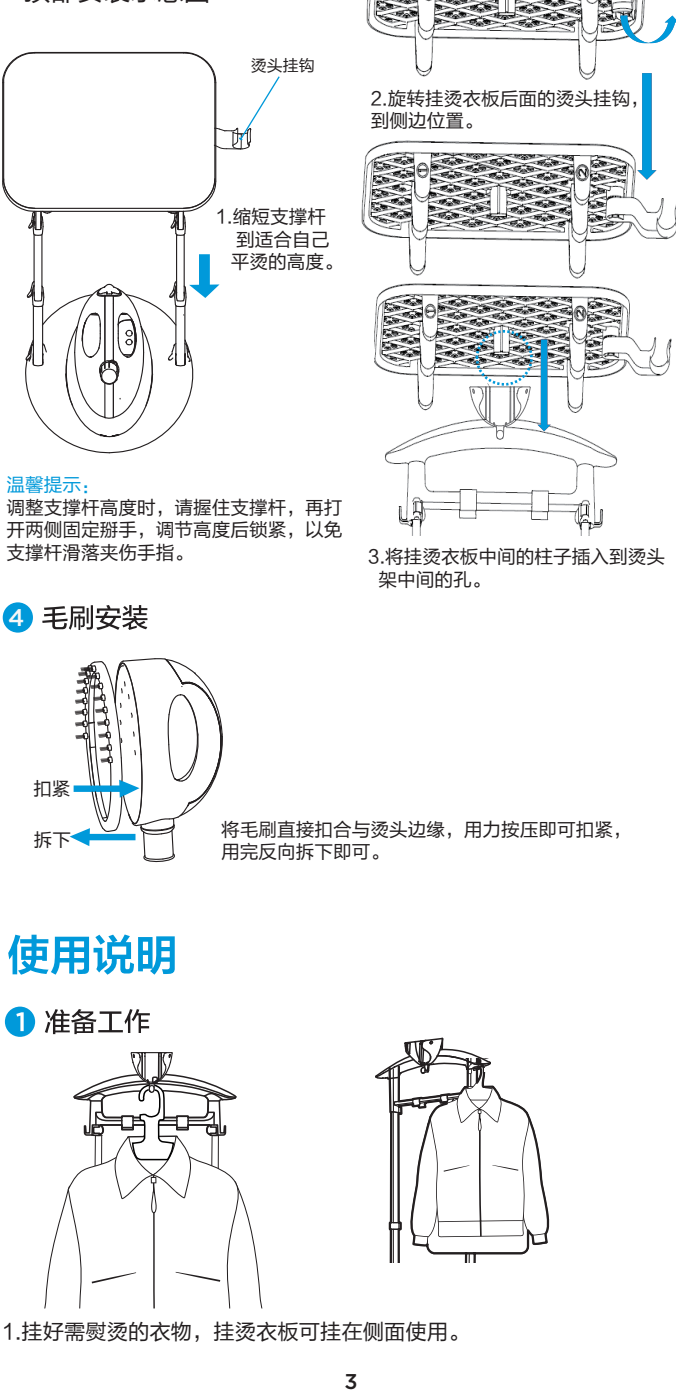
安装说明

2 导气管安装

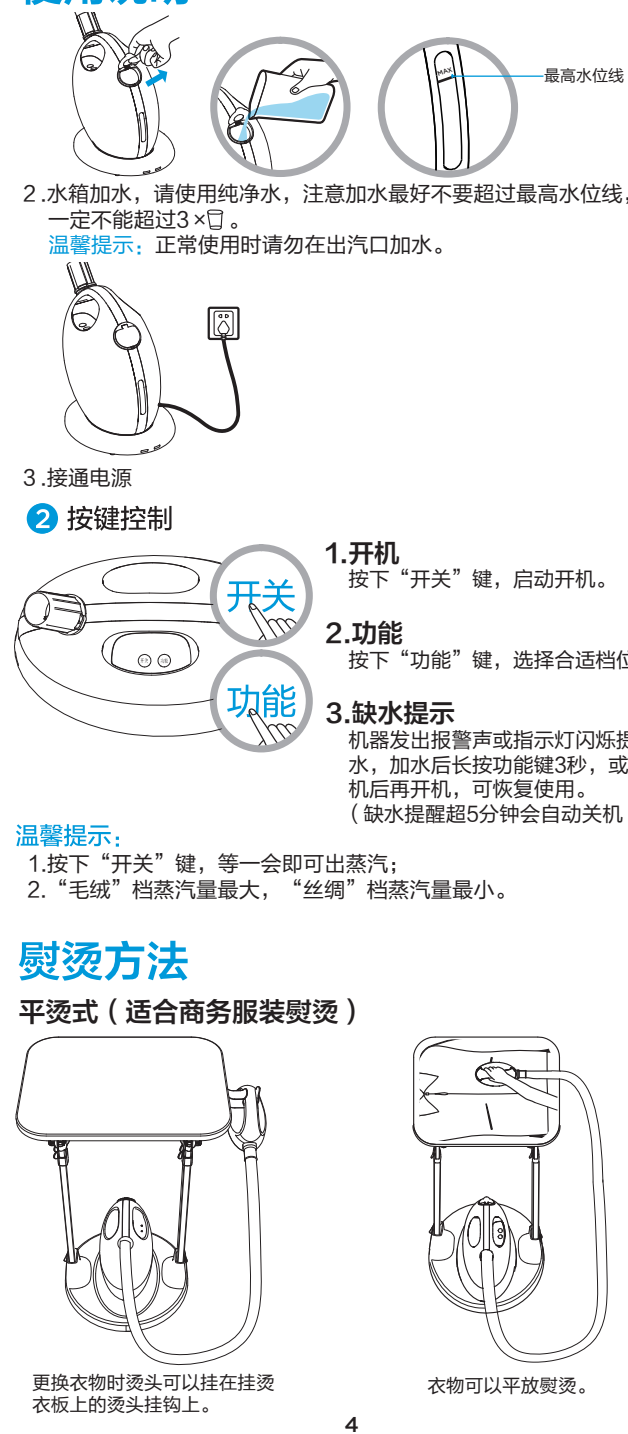


安装说明

顶部安装示意图

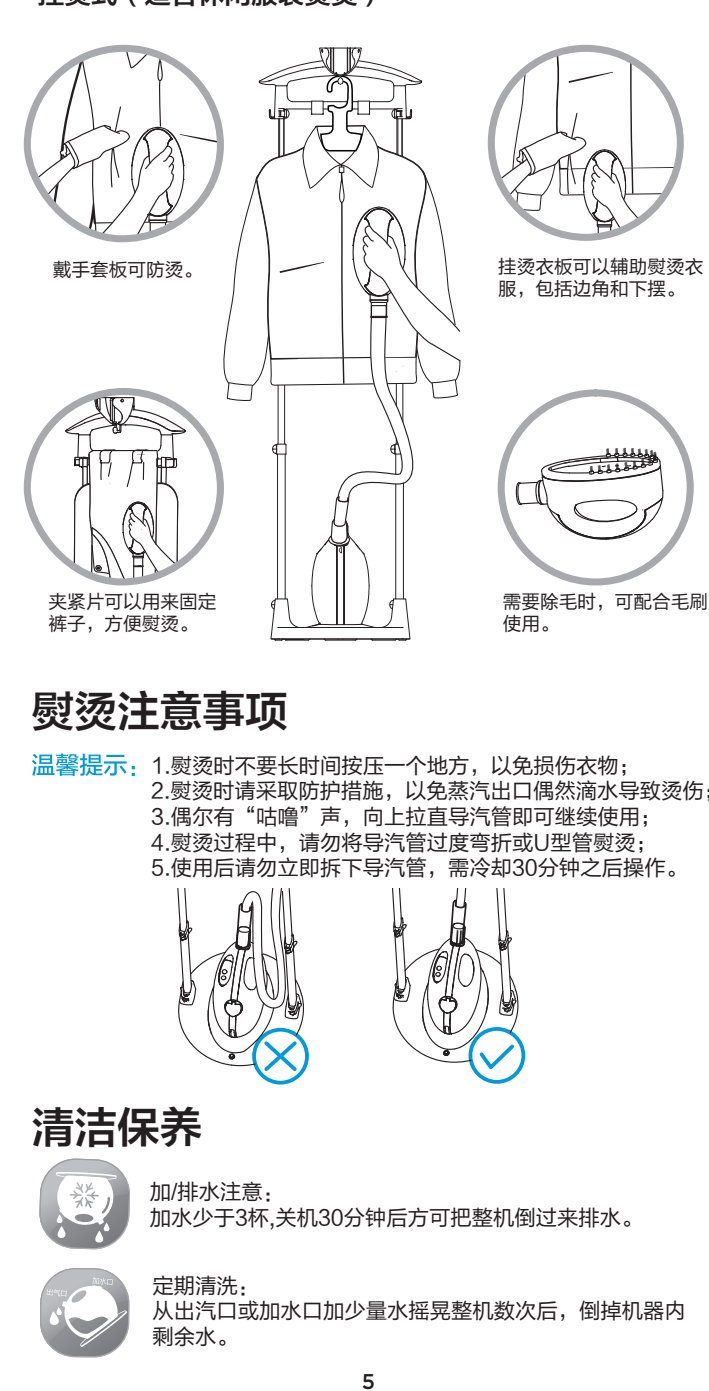


使用说明



熨烫方法

挂烫式 (适合休闲服装熨烫)



型号、配件及基本参数

型号	毛刷	量杯	挂烫衣架	手套板
YGD12B1	●	●	●	●
YGD12B2	●	●	●	●

● 表示此型号配置有此附件
○ 表示此型号不配置此附件

型号	水箱容量	产品重量	额定功率	额定电压/频率	产品尺寸	功能特点	电气原理图
YGD12B1	1.2 (L)	6.9Kg	1800 (W)	220V~50Hz	338x358 x1600 (mm)	轻柔烫, 标准烫, 强力烫	微电脑式
YGD12B2	1.2 (L)	6.9Kg	1800 (W)	220V~50Hz	338x358 x1600 (mm)	轻柔烫, 标准烫, 强力烫	微电脑式

产品执行标准: GB4706.1-2005 GB4706.84-2007
电气原理图: 请参考《日常保养手册》

产品合格证	
检查日期:	见铭牌
检查结论:	合格
检验员号:	QC-02

挂烫机背部铭牌激光码: XX XX XX XX XX
年 月 日 工段代码 线别
例: 1501071801表示2015年1月7日18号工段01线生产。

产品中有害物质的名称及含量 Names and Contents of Hazardous Substances in Product

部件名称 Component name	有害物质 Hazardous substance						
	铅 Lead (Pb)	汞 Mercury (Hg)	镉 Cadmium (Cd)	六价铬 Hexavalent Chromium (Cr(VI))	多溴联苯 Polybrominated biphenyls (PBB)	多溴二苯醚 Polybrominated diphenyl ethers (PBDE)	
烫头组件 Steamer head assembly	○	○	○	○	○	○	○
导气管组件 Steam conduit assembly	○	○	○	○	○	○	○
水箱组件 Water tank component	○	○	○	○	○	○	○
外壳组件 Casing assembly	○	○	○	○	○	○	○
电源线 Power cord	X	○	○	○	○	○	○
电器组件 Electrical component	X	○	X	○	○	○	○
热锅组件 Hot pot component	○	○	○	○	○	○	○
配重块 Balancing weight	X	○	○	○	○	○	○
底座 Base	○	○	○	○	○	○	○
支撑杆组件 Support rod assembly	○	○	○	○	○	○	○
辅助配件 Auxiliary accessories	○	○	○	○	○	○	○

本表格依据SJ/T 11364的编制
O: 表示该有害物质在该部件所有均质材料中的含量均在GB/T 26572规定的限量要求以下。
X: 表示该有害物质在该部件的某一均质材料中的含量超出GB/T 26572规定的限量要求。
This form is prepared as per the regulation of SJ/T 11364
O: It indicates that the contents of the hazardous substance in all the homogenous materials of the component are all below the limit required by GB/T 26572.
X: It indicates that the content of the hazardous substance in at least one of the homogenous materials of the component is over the limit required by GB/T 26572.

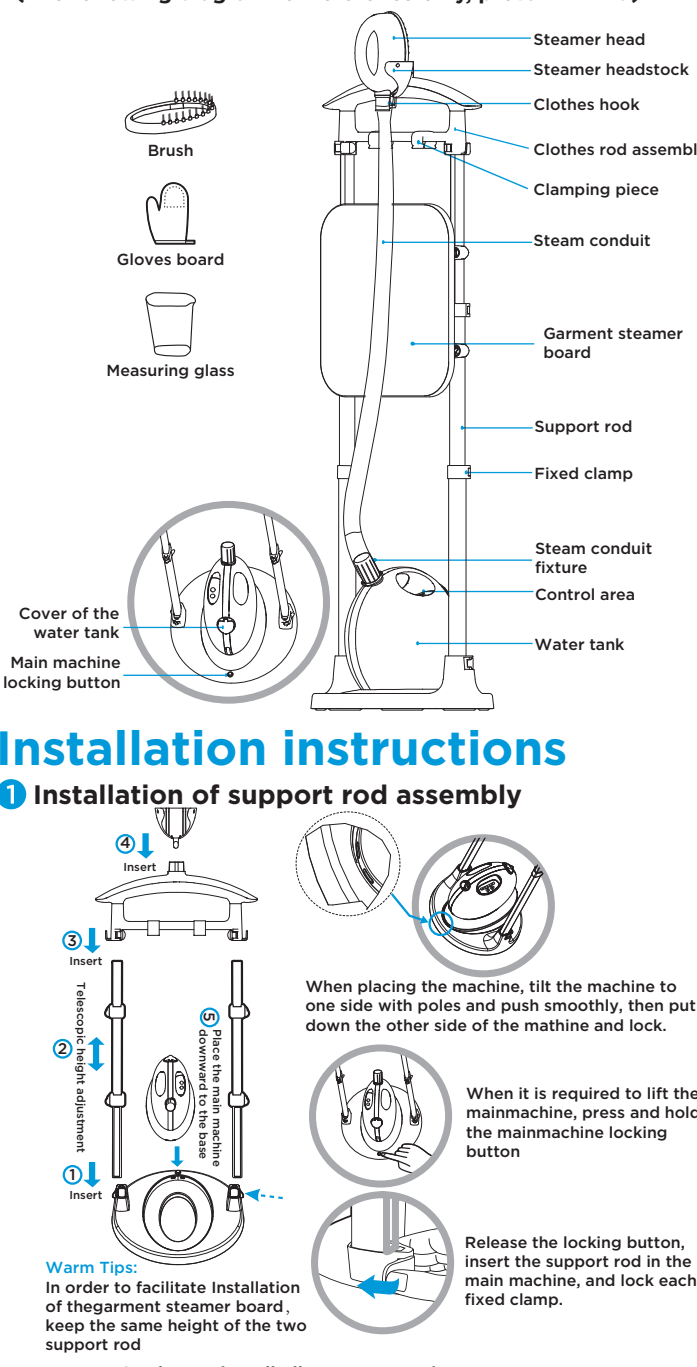
TEL 400-8899-315

广东美的环境电器制造有限公司
地址: 广东省中山市东凤镇东阜路和穗工业园东区28号
邮编: 528425
网址: www.midea.com
版本号: 2.0
物料编码: 1615600002684

Guangdong Midea Environment Appliances Manufacture Co., Ltd.
Address: No. 28, East Area, Heshui Industrial Park, Dongfu Road, Dongfeng, Town, Zhongshan, Guangdong, China
Postcode: 528425
URL: www.midea.com
Version No.: 2.0
Material number: 1615600002684

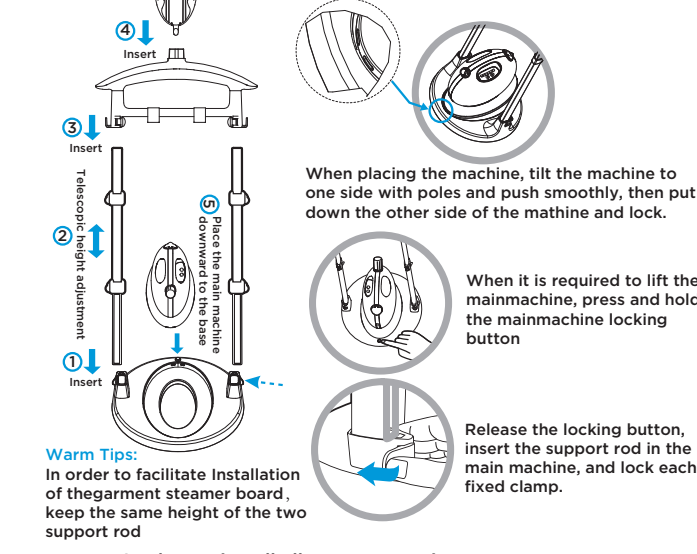
Component Description

(The following diagram for reference only, prevail in kind)



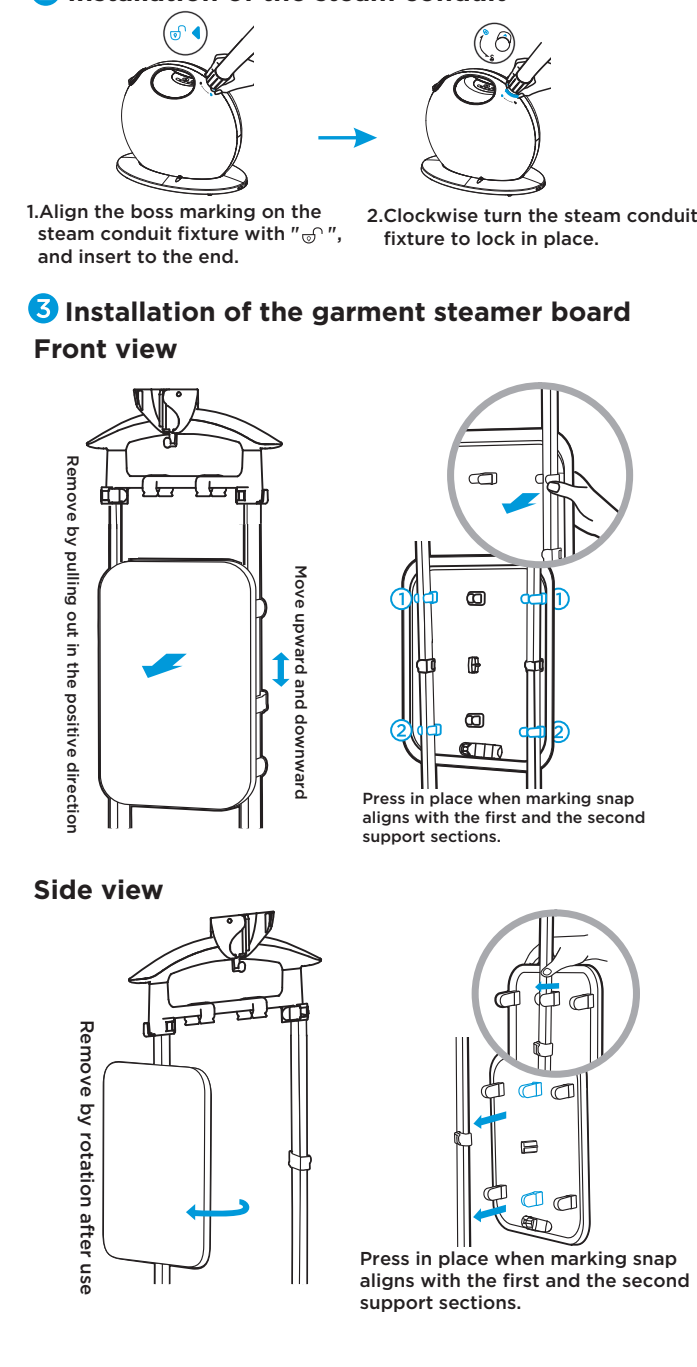
Installation instructions

1 Installation of support rod assembly



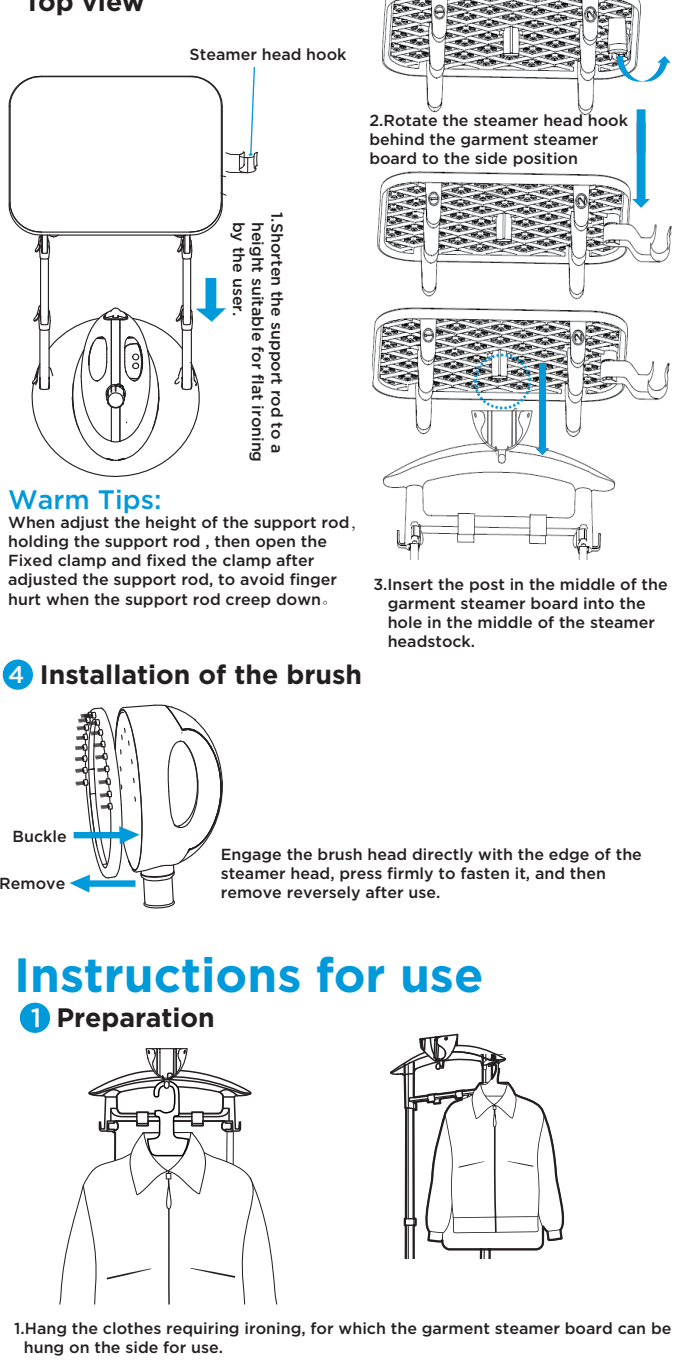
Installation instructions

2 Installation of the steam conduit

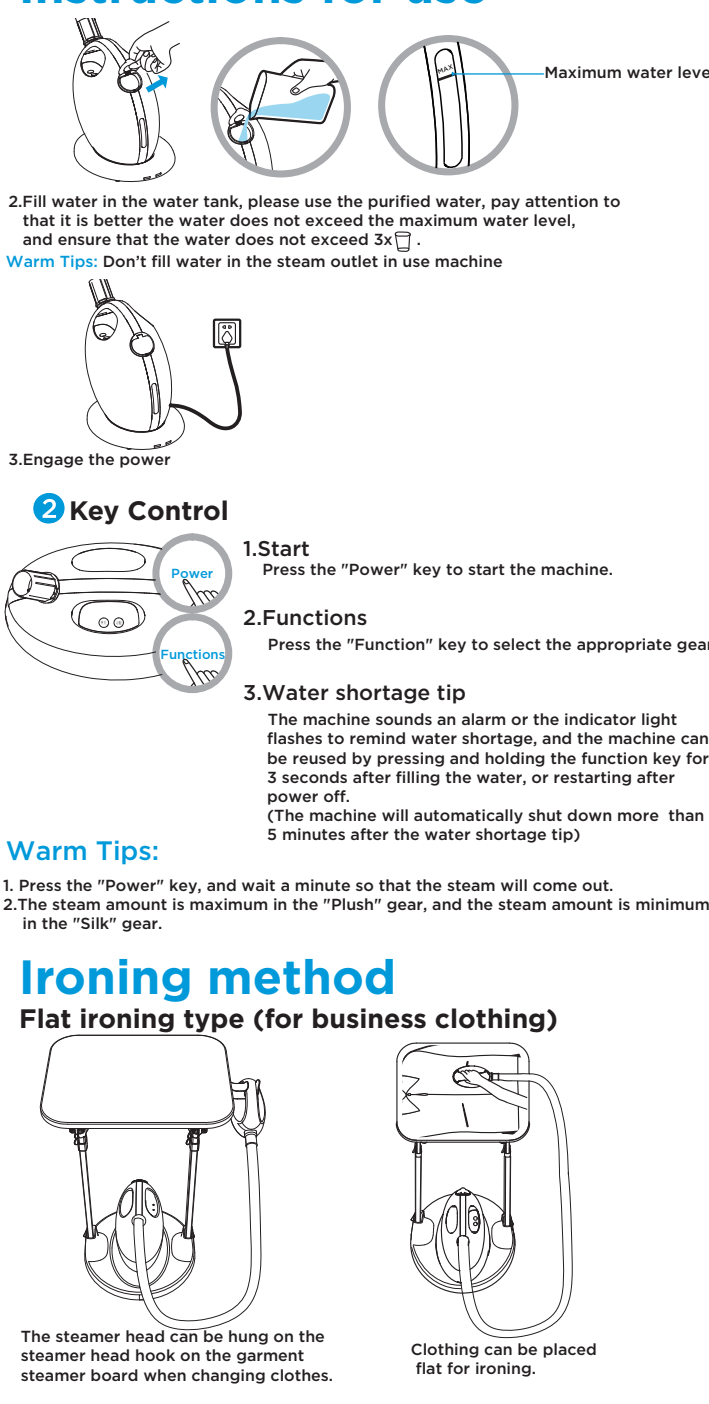


Installation instructions

Top view

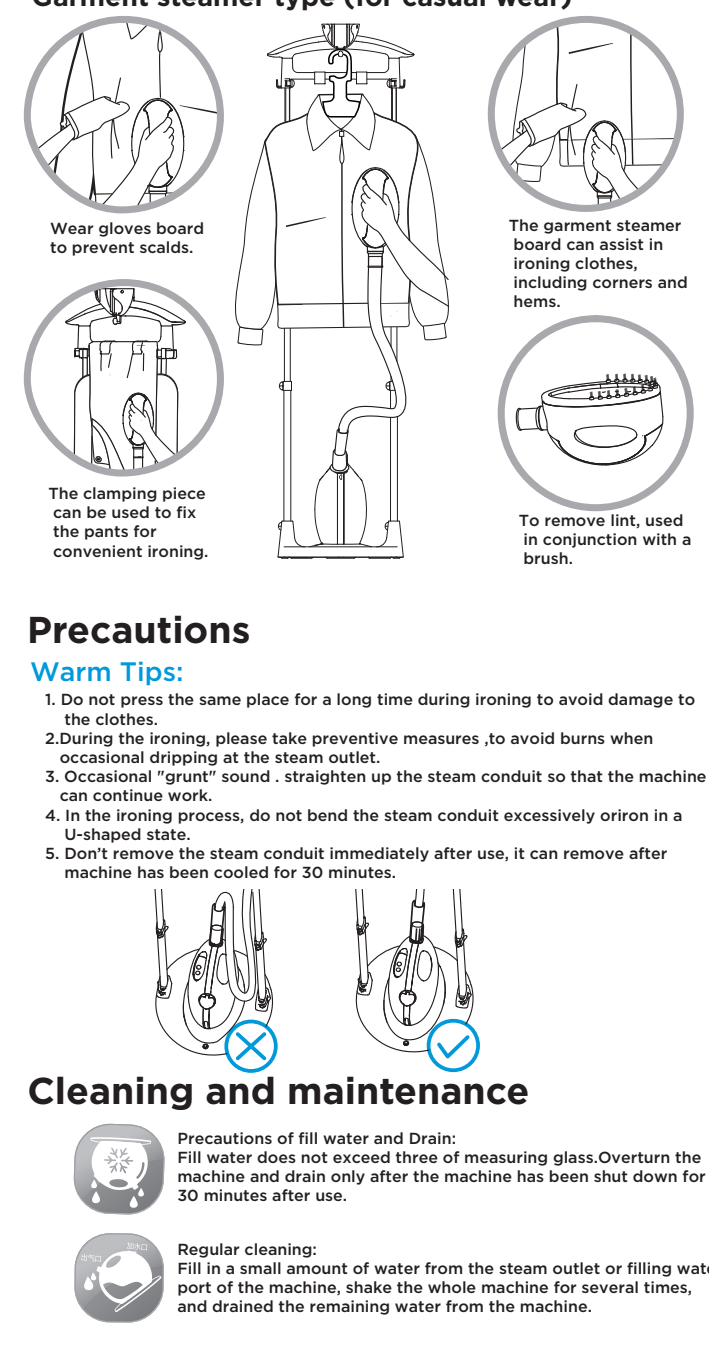


Instructions for use



Ironing method

Garment steamer type (for casual wear)



Ccessories

Model	Brush	Measuring glass	Garment steamer board	Gloves board
YGD12B1	●	●	●	●
YGD12B2	●	●	●	●

● Indicates that this model is equipped with this accessory
○ Indicates that this model is not equipped with this accessory

Product Specification

Model	Water tank capacity	Product weight	Rated power	Rated voltage/frequency	Product dimensions	Function gear	Electrical schematics
YGD12B1	1.2 (L)	6.9Kg	1800 (W)	220V~50Hz	338x358 x1600 (mm)	Gentle ironing/Standard ironing/Strong ironing	Microcomputer type
YGD12B2	1.2 (L)	6.9Kg	1800 (W)	220V~50Hz	338x358 x1600 (mm)	Gentle ironing/Standard ironing/Strong ironing	Microcomputer type

Product performance standards: GB4706.1-2005 GB4706.84-2007
Electrical schematics: Refer to "Routine Maintenance Manual"

Product Certificate	
Test date:	See the nameplate
Test conclusion:	Qualified
Inspector No.:	QC-02

Laser code on the nameplate at the back of the garment steamer:
Year 月 日
Month 日
Day 日
Section Code
Line Class
Example: 1501071801 indicates the product was produced in 01 line at the No.18 Section on January 7, 2015.

All data on this document have been carefully checked; if there are any printing errors and omissions or misleading content, please consult us.
Note: If there is any technical improvement for the product, such technical improvement will be compiled into the new-version manual without prior notice.
If there is any change in product appearance and color, prevail in kind.